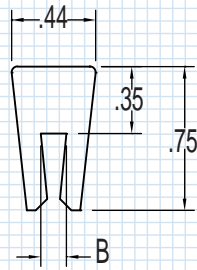
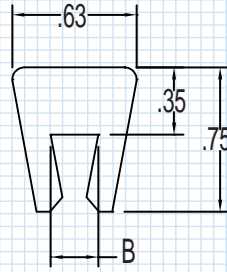


Screw Conveyor Flight Edging



CAT 2733
Flight Edging



CAT z2734
Flight Edging

Estimating the footage required to cover a screw section

Standard single/full pitch screw

(The pitch is equal to the screw diameter)

Flight edging required (ft) = $3.4 \times$ length of screw (ft)

Half pitch screw

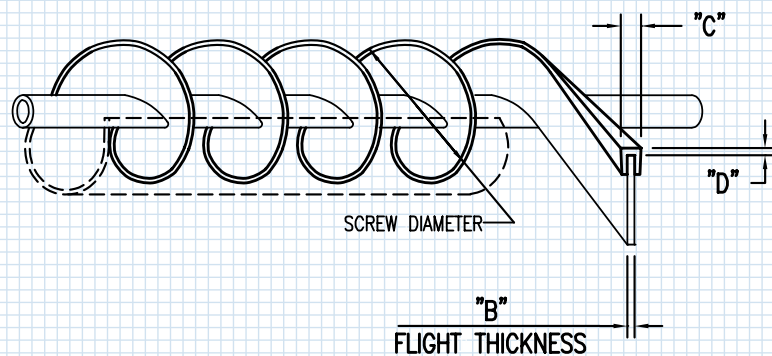
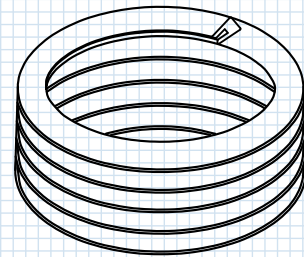
(The pitch is equal to half the screw diameter)

Flight edging required (ft) = $6.7 \times$ length of screw (ft)

Special Screw Configurations

(Undetermined and variable screw pitches)

Flight edging required (ft) = $0.283 \times$ screw diameter (in) \times turns



Screw Conveyor Flight Edging

Screw Diameter (inches)	Flight thickness (inches)	SPX#	Catalog Number	Minimum Coil O.D. (inches)	Maximum Coil O.D. (inches)	Average feet/coil	Average Coils per 100 ft.
6	1/16	1043223	2733-6-.06	5.25	6.00	1.276	78.4
6	1/8	1043224	2733-6-.13	5.25	6.00	1.276	78.4
9	3/32	1043225	2733-9-.10	8.00	9.00	2.029	49.3
9	1/8	1043226	2733-9-.13	8.00	9.00	2.029	49.3
12	1/8	1043227	2733-12-.13	10.50	11.50	2.683	37.3
14	1/8	1043228	2733-14-.13	12.00	13.50	3.142	31.8
16	1/8	1043229	2733-16-.13	14.00	15.50	3.665	27.3
18	1/8	1043280	2733-18-.13	16.00	17.50	4.189	23.9
24	1/8	1063563	2733-24-.13	22.00	23.50	5.760	17.4

Screw Diameter (inches)	Flight thickness (inches)	SPX#	Catalog Number	Minimum Coil O.D. (inches)	Maximum Coil O.D. (inches)	Average feet/coil	Average Coils per 100 ft.
6	3/16	1043230	2734-6-.19	5.25	6.00	1.276	78.4
6	1/4	1043231	2734-6-.25	5.25	6.00	1.276	78.4
6	3/8	1043232	2734-6-.38	5.25	6.00	1.276	78.4
9	3/16	1043233	2734-9-.19	8.00	9.00	2.029	49.3
9	1/4	1043234	2734-9-.25	8.00	9.00	2.029	49.3
9	3/8	1043235	2734-9-.38	8.00	9.00	2.029	49.3
12	3/16	1043236	2734-12-.19	10.50	11.50	2.683	37.3
12	1/4	1043237	2734-12-.25	10.50	11.50	2.683	37.3
12	3/8	1043238	2734-12-.38	10.50	11.50	2.683	37.3
14	3/16	1043239	2734-14-.19	12.00	13.50	3.142	31.8
14	1/4	1043240	2734-14-.25	12.00	13.50	3.142	31.8
14	3/8	1043241	2734-14-.38	12.00	13.50	3.142	31.8
16	3/16	1043242	2734-16-.19	14.00	15.50	3.665	27.3
16	1/4	1043243	2734-16-.25	14.00	15.50	3.665	27.3
16	3/8	1043244	2734-16-.38	14.00	15.50	3.665	27.3
18	3/16	1043245	2734-18-.19	16.00	17.50	4.189	23.9
18	1/4	1043246	2734-18-.25	16.00	17.50	4.189	23.9
18	3/8	1043247	2734-18-.38	16.00	17.50	4.189	23.9
20	3/16	1043248	2734-20-.19	17.50	19.50	4.647	21.5
20	1/4	1043249	2734-20-.25	17.50	19.50	4.647	21.5
20	3/8	1043250	2734-20-.38	17.50	19.50	4.647	21.5
24	3/16	1043251	2734-24-.19	22.50	24.75	5.989	16.7
24	1/4	1043252	2734-24-.25	22.50	24.75	5.989	16.7
24	3/8	1043253	2734-24-.38	22.50	24.75	5.989	16.7
31.5	3/16	1043254	2734-31.5-.19	28.50	31.50	7.658	13.1